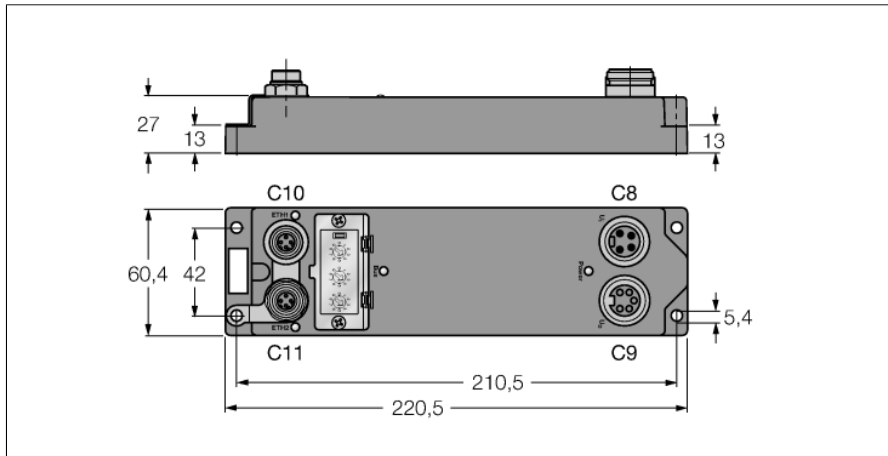


**Compact fieldbus I/O modules for EtherNet/IP**  
**EtherNet/IP - DeviceNet Gateway**  
**FXEN-IP-DN/CS30007**



- EtherNet/IP - DeviceNet gateway
- EtherNet/IP slave
- DeviceNet Master
- For EtherNet/IP applications
- Integrated Ethernet switch
- Supported via FDT/DTM
- Fibre-glass reinforced PA6 housing
- Vibration and shock-resistant
- Encapsulated module electronics
- Metal connectors
- Degree of protection IP67

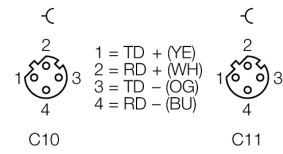
<b>Type designation</b>	FXEN-IP-DN/CS30007
Ident-No.	6825438
<b>Operating current</b>	< 75 mA
<b>Transmission rate Ethernet</b>	10 MBit/s / 100 MBit/s
Electrical isolation	to operating and load voltage
<b>Vibration test</b>	as per EN 60068-2-6
Shock test	as per EN 60068-2-27
Electromagnetic compatibility	acc. to EN 61131-2
UL Certificate	pol. deg.2, env. temp. max. 40 °C, cl.2 ps req.
<b>Operating temperature</b>	0...+55 °C
Storage temperature	-25 ...+70 °C
Altitude	max.5000 m
Protection class	IP67
Housing material	fibre-glass reinforced Polyamide (PA6-GF30)
Halogen-free	yes
Mounting	4 mounting holes Ø 5,4 mm

**Compact fieldbus I/O modules for EtherNet/IP**  
**EtherNet/IP - DeviceNet Gateway**  
**FXEN-IP-DN/CS30007**



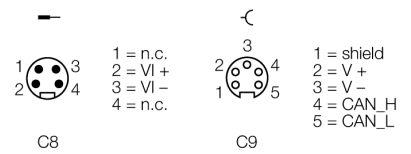
**Accessories**  
Ethernet cable (for example):  
RSSD RSSD 441-2M  
Ident-no. U-02482

**Pin Assignment**



**Accessories**  
DeviceNet™ cable (for example):  
RSM RKM 579-2M  
Ident-no. U5450-51  
Power cable (for example):  
RSM RKM 40-2M  
Ident-no. U2280-0

**Pin Assignment**



## Compact fieldbus I/O modules for EtherNet/IP

### EtherNet/IP - DeviceNet Gateway

#### FXEN-IP-DN/CS30007

#### LED status module

LED	Color	Status	Description
ETH1 / ETH2	green	on	Ethernet Link (100 Mbps)
		flashing	Ethernet communication (100 Mbps)
	yellow	on	Ethernet Link (10 Mbps)
		flashing	Ethernet communication (10 Mbps)
		off	no Link
Power	green	on	Operating and load voltage within the defined tolerances
	red	on	Load voltage below the defined tolerances
		off	Operating voltage below the defined tolerances

#### LED Status DeviceNet Master

LED	Color	Status	Description
DN	green	on	Master communicates with the configured DeviceNet slave
		flashing	Autodiscovery active
	red	on	MAC-ID assigned twice
		flashing	No scan list resp. DeviceNet data volume too large
	green / red	flashing	Configured DeviceNet slave is missing
		off	Device located CAN error
MS	green	on	Logical connection to EtherNet/IP master failed
		flashing	ready
	red	on	error
		flashing	DHCP/BOOTP search for settings
		off	No voltage supply